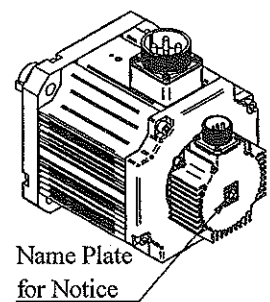


No.	Item	Symbol	Unit	Specification	No.	Item	Symbol	Unit	Specification
1	Drive	-	-	3 ϕ 220 VAC	13	Rotor Inertia	Jm	kg-cm ²	59.17 \pm 10%
2	Cooling Method	-	-	Totally Enclosed	14	Rated Power Rate	Q-R	Kw/s	132.5
3	Exciting Method	-	-	Permanent Magnet	15	Resistance	Ra	Ω	0.167 \pm 10%/2 ϕ
4	Resolution	-	-	17BIT-INC	16	Inductance	L	mH	4.3 \pm 10%/2 ϕ
5	Rated Output	P-R	W	4400	17	Mech. Time Constant	Tm	ms	0.96 \pm 10%
6	Rated Torque	T-R	N-m	28	18	Elect. Time Constant	Te	ms	25.81 \pm 10%
7	Max. Torque	T-max	N-m	70	19	Insulation Class	-	-	Class F
8	Rated Speed	N-R	rpm	1500	20	Operation Temp.	T	$^{\circ}$ C	0~40
9	Rated Current	I-R	A	23.6	21	Operation Humd.	RH	%	<80
10	Max. Current	I-max	A	59	22	Storage Temp.	T	$^{\circ}$ C	-20 $^{\circ}$ ~60 $^{\circ}$
11	Torque Constant	Kt	N-m/A	1.19 \pm 10%	23	Storage Humd.	RH	%	<80
12	Voltage Constant	Ke	V/krpm	79 \pm 10%	24	Weight	W	kgw	22.1

Pin	Signal
B	Vcc
I	Gnd
A	
C	
H	SD
D	SD-
G	
E	
F	FG

Pin	Signal
A	U
B	V
C	W
D	FG



Encoder Wiring

Motor Wiring

Name Plate for Notice

NOTE:
Motor to be IP67
excluding the shaft opening & connectors)

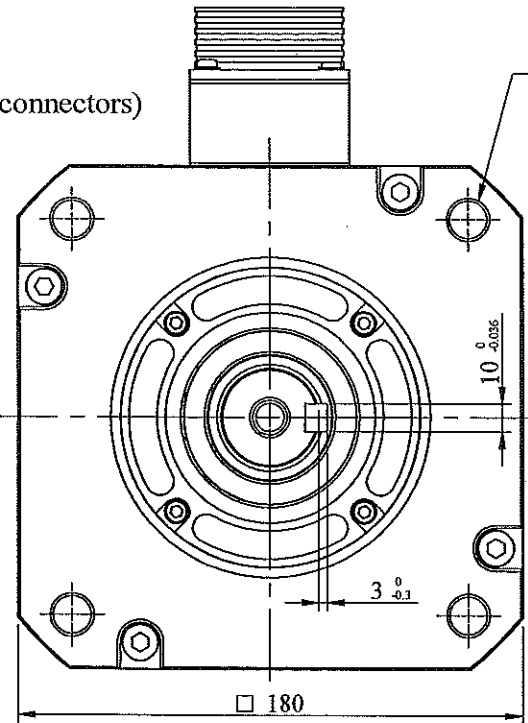


Do not Hammer!

Name Plate for Notice

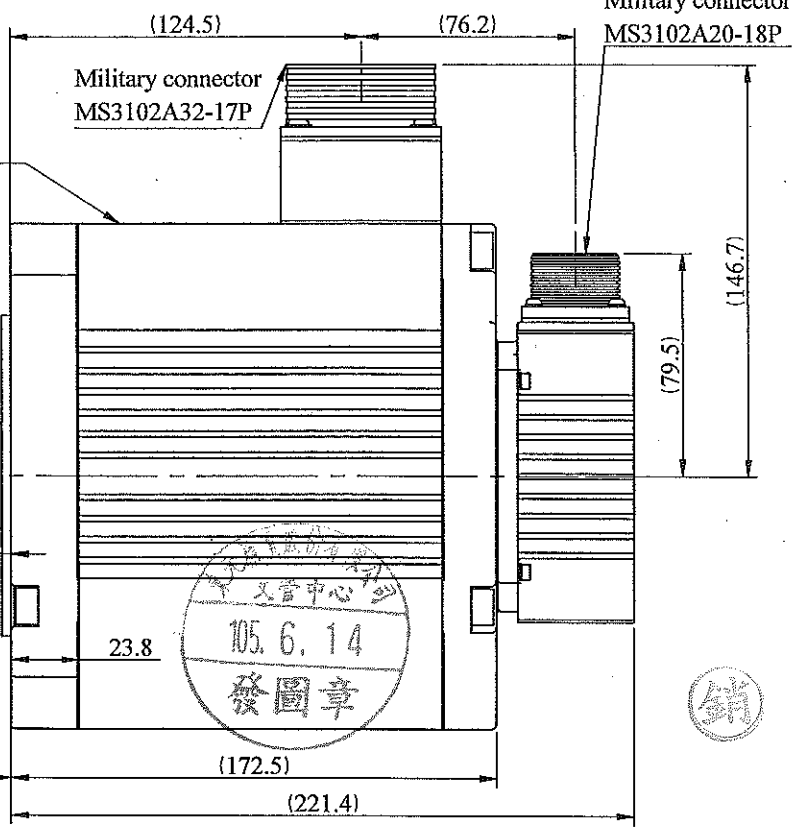
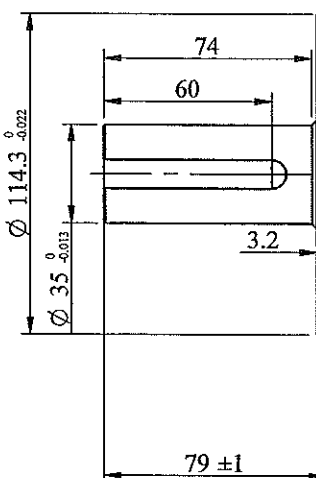
AC SERVO MOTOR	
Model:	JSMA-PIH44A7K
Pr:	4.4 KW ; Nr: 1500 rpm
Ir:	23.6 A , Tr: 28 N-m
NO.	
TECO ELECTRIC & MACHINERY CO., LTD.	
MADE BY TAIWAN	

Name Plate for Spec



4- ϕ 13.5
P.C.D. ϕ 200 \pm 0.1

Name Plate for Spec



STANDARD TOLERANCE		APVD	SCALE	UNIT	m m	NAME
X	\pm 0.5	25	1/2/16			Servo Motor Outline Drawing
X	\pm 0.2	CHKD	Michelle			JSMA-PIH44A7K
XX	\pm 0.05	CHKD	6-8-16	3RD .A.P		
ANGLE	\pm 30'	DWN	hao			
MATERIAL	01	1S16608-01	Chin	6-8-16	04-01-16	
REV	DESCRIPTION	SIGNATURE	DATE	SIGNATURE	DATE	



Dept Design	DWG.NO.	D01B18442H3N7AD01
-------------	---------	-------------------

